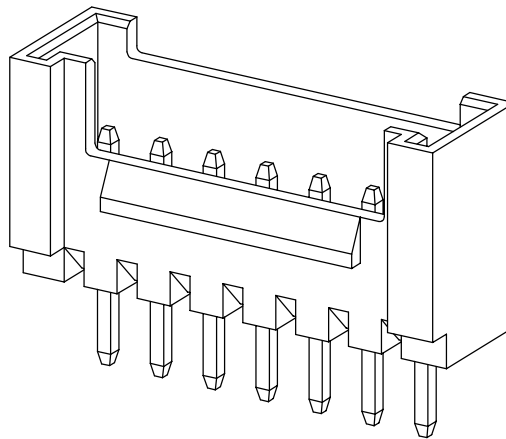
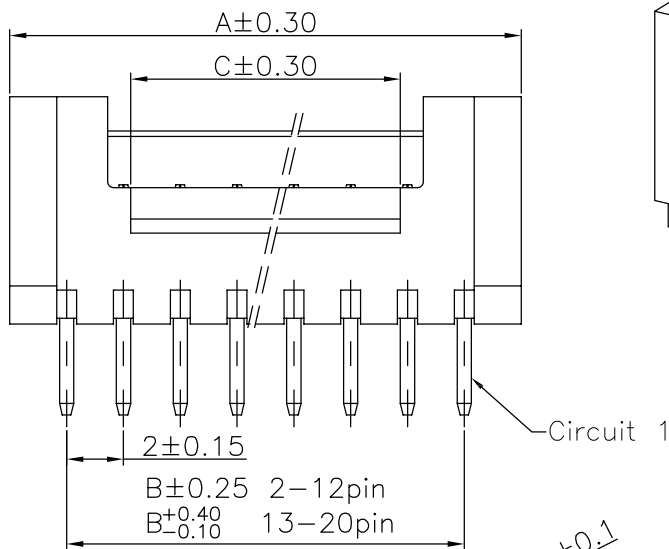
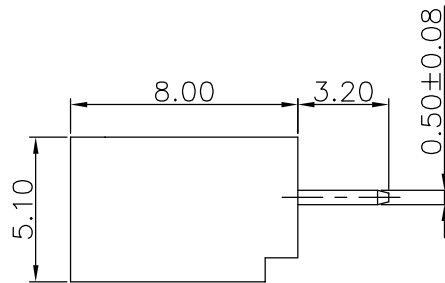
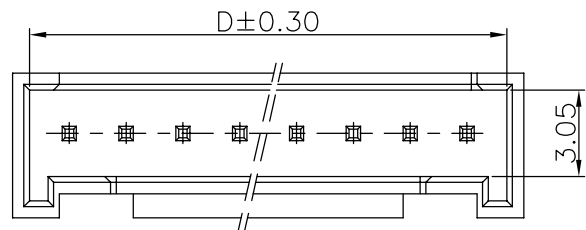
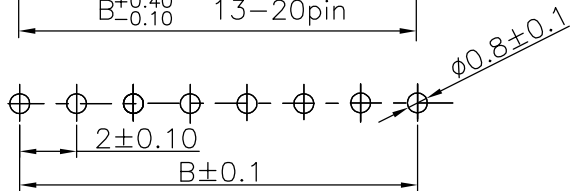


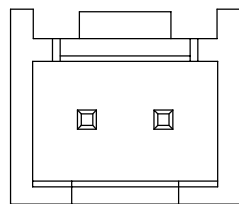
The product using material and processing must conform to the "WI-PZ-001"HSF technical standard control requirements



3D VIEW



PCB LAYOUT



2~3P

NOTE:
 1.MATERIAL SPECIFICATION:
 1-1.HOUSING: PA66,UL94V-0
 1-2.CONTACTS: BRASS
 2.PLATING SPECIFICATION:
 2-1.CONTACTS:
 TIN/GOLD FLASH PLATED OVER ALL.
 3.ELECTRICAL PERFORMANCE:
 3-1.CURRENT RATING: 2A AC/DC
 3-2.CONTACT RESISTANCE: 20 mΩ MAX
 3-3.INSULATION RESISTANCE: 1000MΩ Min
 3-4.DIELECTRIC WITHSTANDING : 1000V
 4.ENVIRONMENTAL PERFORMANCE:
 4-1.OPERATING TEMPERATURE: -25°C~+85°C.
 5.PACKAGE SPEC:PE BAG
 6.P/N:

A2 SERIES NO: A2008 W 0-1 XX 1 X X 0
 CONNECTOR: W-WAFER
 ANGLE: 0-180°
 ROW NO: 1-SINGLE ROW
 PIN Q'PY: 02~16
 COLOR: A-BLACK, M-BEIGE(高温料) ROHS, S-NATURE ROHS+HF
 PLATING: A-ALL AU G/F, C-BRIGHT TIN, D-MATTE TIN, F-ALL AU 5u"
 TERMIPOINT: 1-DIP

Circuits	Dimensions(mm)				Circuits	Dimensions(mm)			
	A	B	C	D		A	B	C	D
02	6.00	---	2.50	4.90	12	26.00	22.00	20.50	24.90
03	8.00	4.00	3.50	6.90	13	28.00	24.00	22.50	26.90
04	10.00	6.00	4.50	8.90	14	30.00	26.00	24.50	28.90
05	12.00	8.00	6.50	10.90	15	32.00	28.00	26.50	30.90
06	14.00	10.00	8.50	12.90	16	34.00	30.00	28.50	32.90
07	16.00	12.00	10.50	14.90	17	36.00	32.00	30.50	34.90
08	18.00	14.00	12.50	16.90	18	38.00	34.00	32.50	36.90
09	20.00	16.00	14.50	18.90	19	40.00	36.00	34.50	38.90
10	22.00	18.00	16.50	20.90	20	42.00	38.00	36.50	40.90
11	24.00	20.00	18.50	22.90					

REV.	REVISION RECORD	DATE	UNIT:mm	GENERAL TOLERANCES		SCALE:	NAME	DATE	PART.NO:	DWG.NO:	TITLE:	REV: A2	SHEET: 1/1
A0	NEW RELEASE	21.11.17		LINEAR	ANGLES	1:1							
A1	Modify the size according to the real thing	23.04.27	0.00±0.25	X°±3°	APPROVED	Wang_jr	23.09.18	A2008W0-1XX1XX0	ENDE05	Pitch 2.0mm 180°HY单排立插 Wafer	WanLian Technology Co., Ltd		
A2	PART NUMBER RENEWAL	23.09.18	0.000±0.10	X°X° ±2°	DESIGNER	Han_Gao	23.09.18						
			SIZE: A4		DRAWN	Zijun_Huang	23.09.18						

